

# Instructions

Top Mount Toilet Flush Valve & 2" Toilet Flapper  
For 1-piece Toilets

## Includes:



Installation Tool

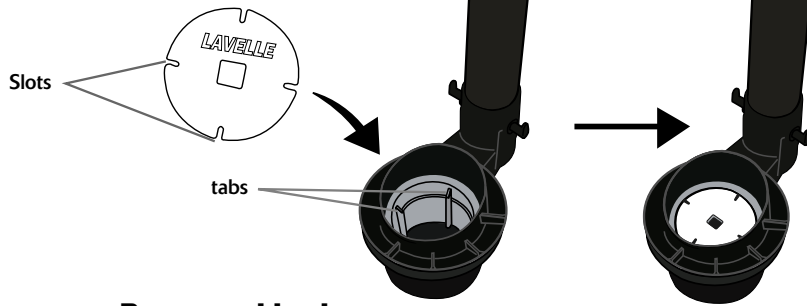
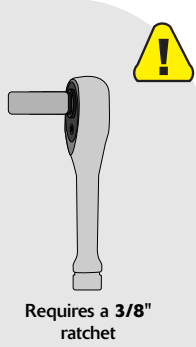


Flush Valve



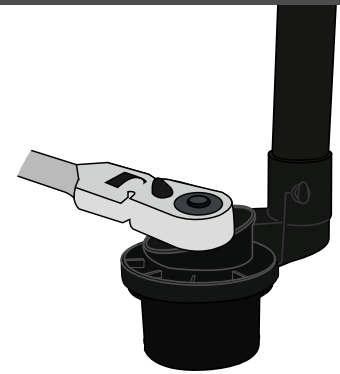
Flapper

1

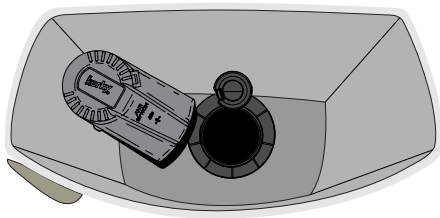


### Remove old valve.

- Put installation tool (letters facing up) into the white collar of the flush valve. Install 3/8" ratchet into installation tool hole. Ensure four slots on installation tool engage four tabs on collar.
- Rotate counterclockwise rotation to remove flush valve.

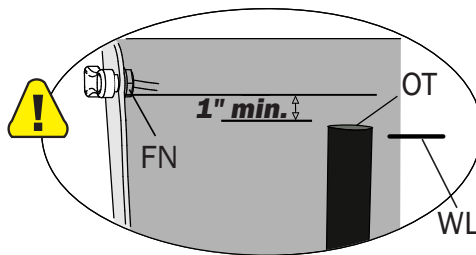


2



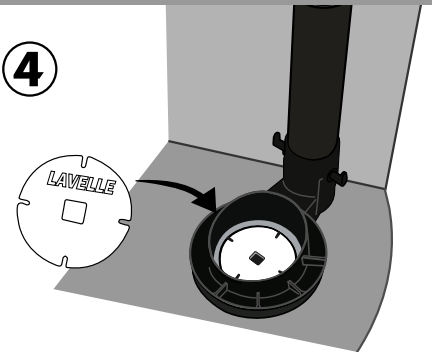
Insert new flush valve into tank opening.

3



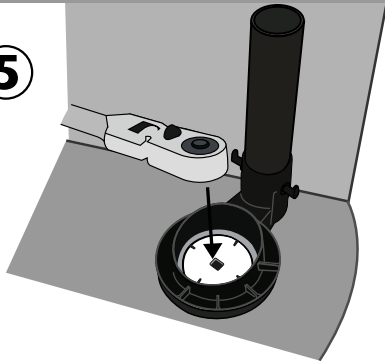
Verify overflow tube (OT) is 1/2" above water line (WL) & at least 1" below flush lever nut (FN).  
Note: May need to cut overflow tube to proper height.

4



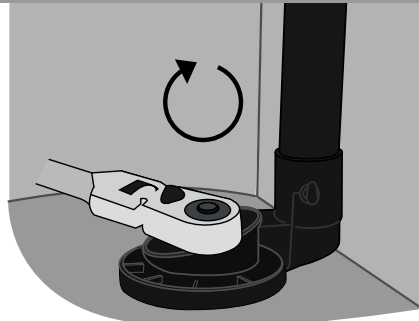
Put installation tool (letters facing up) into white collar of flush valve.

5



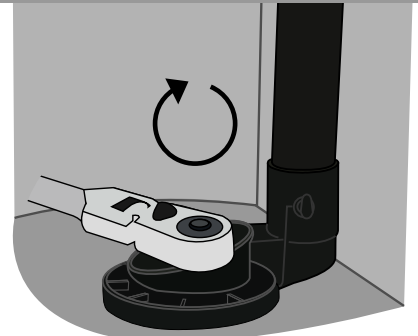
Install 3/8" ratchet into installation tool hole.

6



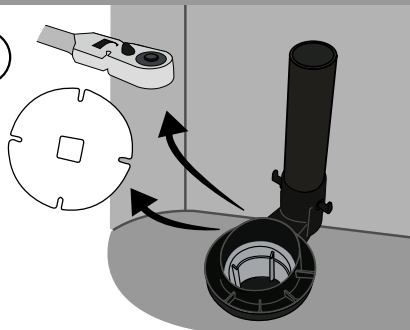
Use downward force on ratchet, begin tightening valve down in clockwise rotation to ensure bottom lip of valve is flush with tank

7



Rotate ratchet clockwise until tight.

8



**Important Step!**  
Remove ratchet and installation tool.

9



Install toilet flapper with minimal chain slack.



©2024 Lavelle Industries, Inc.  
Burlington, WI • Made in USA •  
262-763-2434 • korky.com

723X