

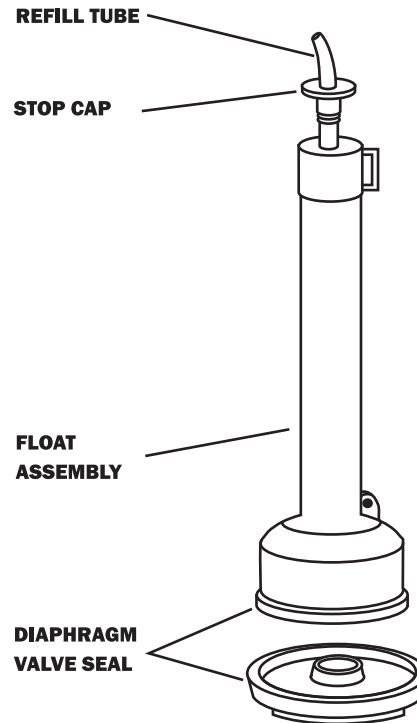
No. 426BP

## Diaphragm Valve Seal

Fits Mansfield® 208/209 Flush Valves

### Instructions:

1. Shut off water supply to toilet and flush toilet to empty tank.
2. Take off refill tube from stop cap, then unscrew and remove existing stop cap.
3. Lift off the float assembly from the center guide, and at the same time detach the trip lever.
4. Replace diaphragm seal. Place float assembly back onto center guide and reattach trip lever.
5. Screw stop cap onto center guide and reinsert refill tube into stop cap.
6. Make certain the watersaver flush valve moves freely and seats properly by flushing handle of toilet.
7. Turn on water supply.



Mansfield® is a registered trademark of Mansfield Plumbing Products, Inc.



©2004 Lavelle Industries, Inc.  
Lavelle Industries, Inc.  
665 McHenry Street  
Burlington, WI 53105  
800-528-3553  
www.korky.com  
R1

**UPC:**  
**049057042694**